

# ONKYO SERVICE MANUAL

## QUARTZ LOCKED DIRECT DRIVE AUTOMATIC TURNTABLE MODEL CP-1046F



Silver and black models

**Note.**

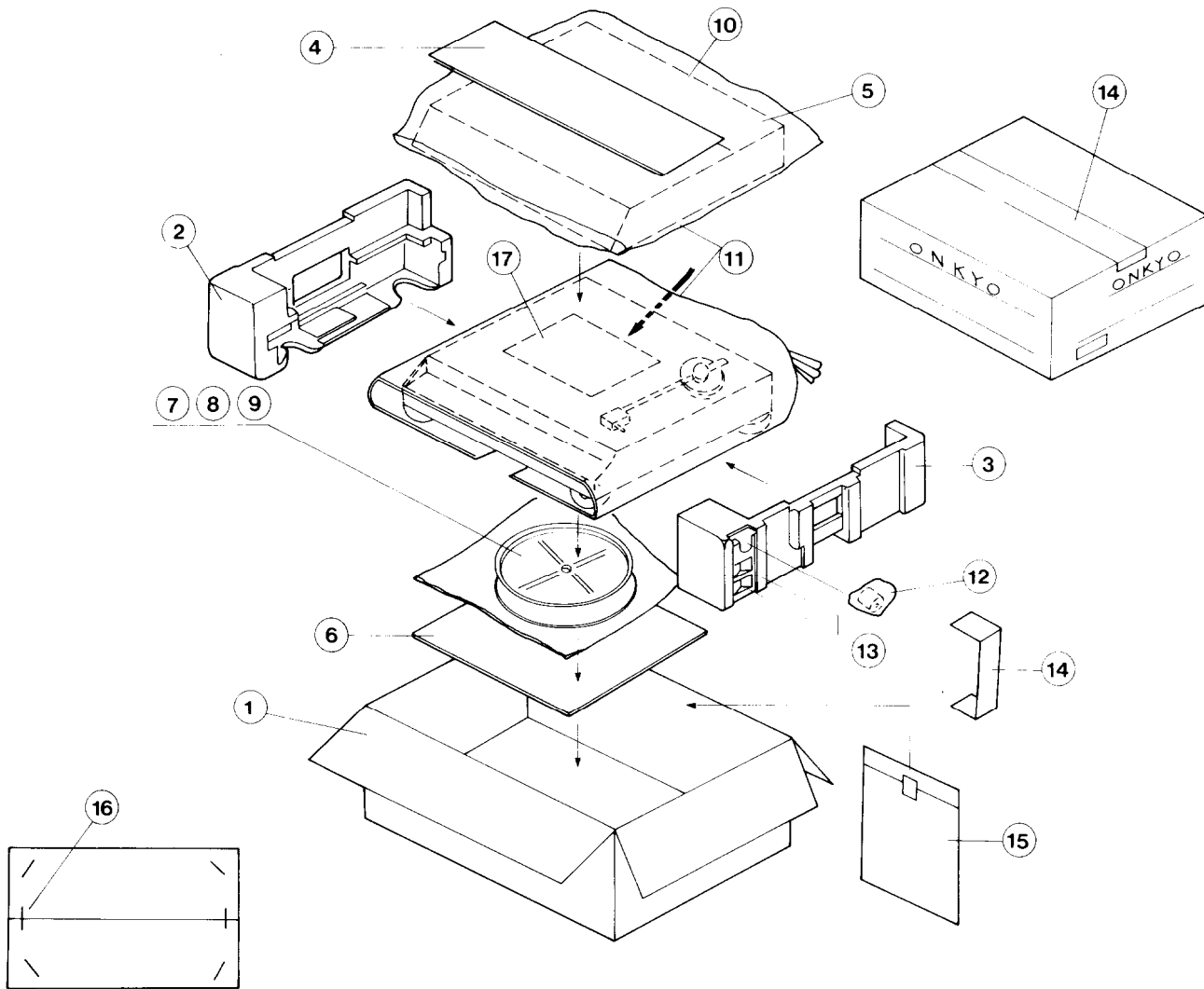
For model CP-1046F, read CP-1044F as CP-1046F. But the following parts are not the same on models CP-1046F and CP-1044F.

PAGE	REF. NO.	PART NO.	DESCRIPTION
4		24509320	Dust cover
4	34	24509327	Insulator (J)
4	31	24509325	Insulator (H)
4	32	24509326	Insulator (I)
4	44	28191249	Clear plate
4	45	27262267	Plate 46
4	45	27262268	Plate 46 (B)
12	8	24509329	T.T sheet (N)
12	8	24509286	T.T sheet (G)
4	43	27267335	Guide (L) (B)
4	36	28321549	Knob (S) (B)
4	35	28321546	Knob (R) ass'y (B)
		24505155	PU-cable (N)
		24505158A	PU-cable (V)
4	4	28110290	Floating base ass'y (B)
4	1	28110289	Cabinet (B)
4	P304	242960	OC-61VE, Cartridge (G)
4	P304	242959	DN-61STE, Stylus (G)
		28180080	Hinge (B)

**NOTE**

N: Only 120V Model  
G: Other Models  
B: Black Model  
V: West Germany Model

**ONKYO**  
**AUDIO COMPONENTS**



REF. NO.	PART NO.	DESCRIPTION
1	29050939	Master carton box (Black Model)
	29050938	Master carton box (Silver Model)
2	29090916A	Pad (L)
3	29090917A	Pad (R)
4	29090918A	Sheet
5	29095366	Sheet
6	29095286	Sheet
7	24502159	Turntable platter
8	24509328	T. T. Sheet (N)
	24509286A	T. T. Sheet (G)
9	29100046	370 x 470, Poly-vinyl bag
10	24501460	Dust cover
11		Sheet
12	24501460	Counter weight
13	28180080	Hinge (Black Model)
13	28180078	Hinge (Silver Model)
14		P. P. tape
15		Accessory bag complete
	29340775	Instruction manual (N)
	292049A	45 rpm adaptor
	24509197	Overhang gauge
	29358004	Service station list (N)
	29365006-6	Warranty card (N)
	29100005	220 x 330, Poly-vinyl bag
	24501330	Cartridge attachment parts ass'y (G)
	25055040	C-V-K2, Conversion plug (G)
	29340776	Instruction manual (G)
16	282301	Sealing hook
17	29355101	Caution sheet

NOTE  
 N: Only 120V Model  
 G: Other Models